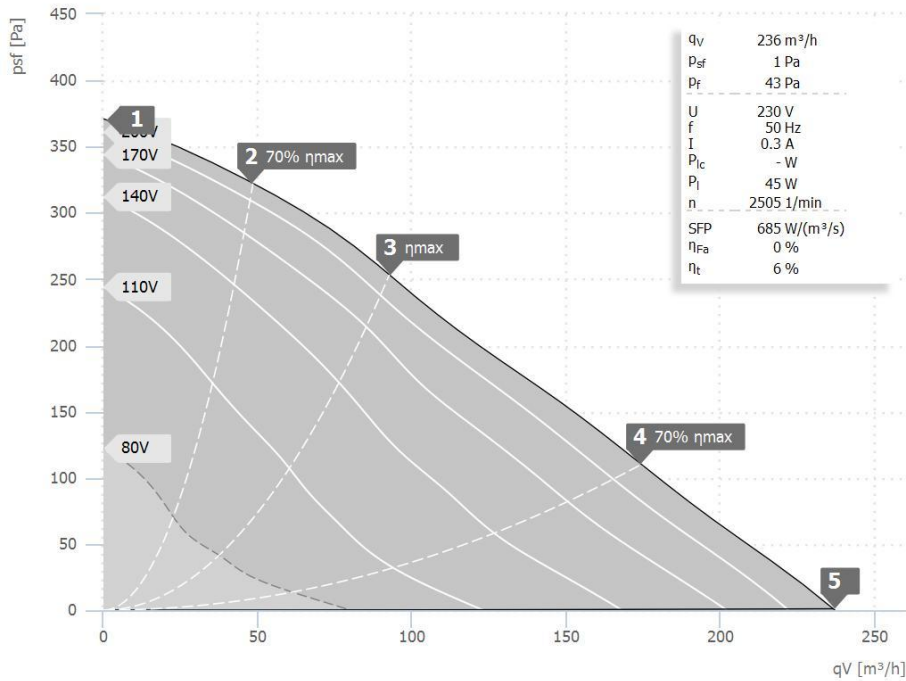


DATA SHEET

RS 100L 10 | 134978

ruck.eu
VENTILATOREN

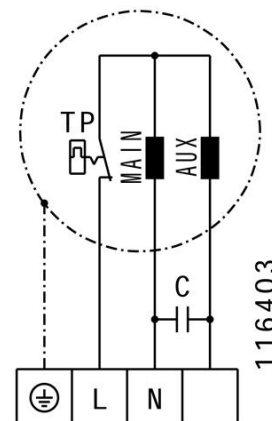
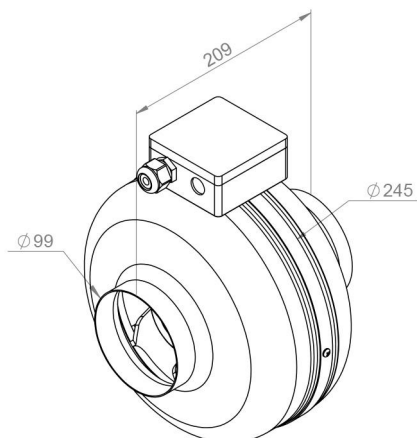


- Backward curved centrifugal fan
- Metal housing RAL 7035
- Speed controllable
- Integrated thermostatic switch
- Incl. terminal box

Operating Point		1	2	3	4	5
Current I	A	0,2	0,2	0,3	0,3	0,3
Power Consumption P ₁	W	32	34	38	44	45
RPM n	1/min	2798	2724	2668	2530	2505
SPL inlet L _{WA5}	dB(A)	63	63	63	67	68
SPL outlet L _{WA6}	dB(A)	63	63	63	65	68
SPL casing break out L _{WA2}	dB(A)	52	52	52	53	54

Sound power (L _W) dB(A)		Medium Frequency Band								
		Σ	63	125	250	500	1k	2k	4k	8k
Inlet	L _{WA5}	68	41	52	64	60	60	59	55	46
Outlet	L _{WA6}	68	42	53	66	55	58	58	54	45
Casing	L _{WA2}	54	40	40	46	43	49	47	44	37

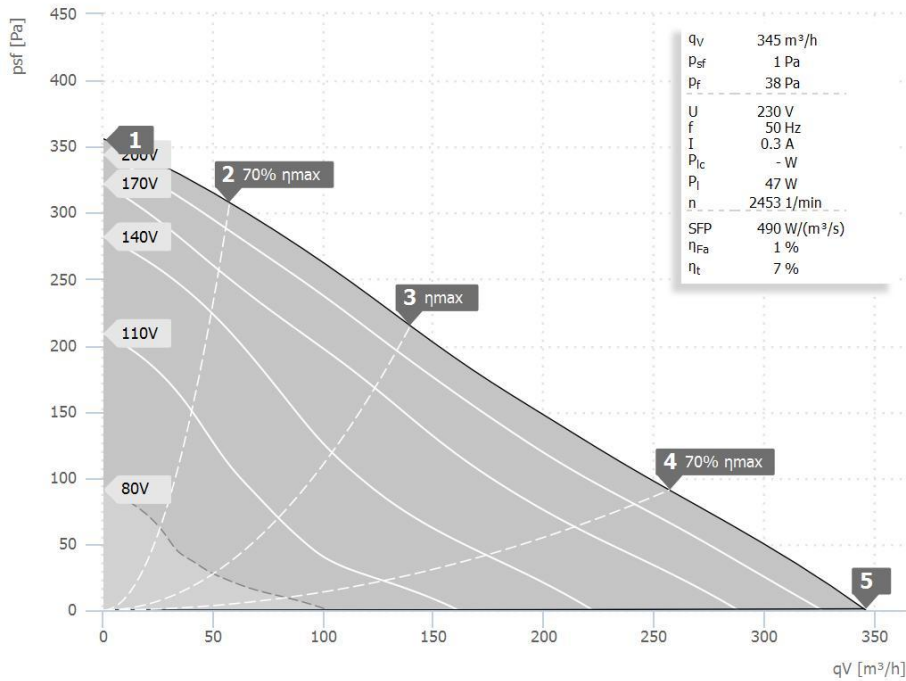
RS 100L 10 134978	
Voltage U _N	230 V 1~
Current I _{max}	0,3
Ambient Temperature t _A	70 °C
Medium temperatures t _M	70 °C
Speed Control	V
Motor Protection	TMI
Isolation Class	F
Weight	2,8 kg



DATA SHEET

RS 125L 10 | 134982

ruck.eu
VENTILATOREN

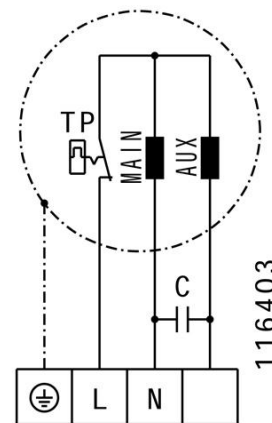
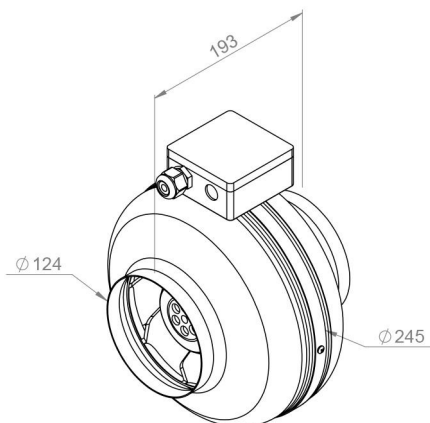


- Backward curved centrifugal fan
- Metal housing RAL 7035
- Speed controllable
- Integrated thermostatic switch
- Incl. terminal box

Operating Point		1	2	3	4	5
Current I	A	0,2	0,2	0,2	0,3	0,3
Power Consumption P _i	W	33	36	42	46	47
RPM n	1/min	2760	2697	2568	2464	2454
SPL inlet L _{WA5}	dB(A)	64	64	64	65	67
SPL outlet L _{WA6}	dB(A)	64	64	64	66	68
SPL casing break out L _{WA2}	dB(A)	53	53	53	53	53

Sound power (L _W) dB(A)		Medium Frequency Band								
		Σ	63	125	250	500	1k	2k	4k	8k
Inlet	L _{WA5}	67	37	49	56	64	61	60	56	45
Outlet	L _{WA6}	68	38	49	63	63	58	58	55	43
Casing	L _{WA2}	53	34	37	44	45	49	47	44	34

RS 125L 10 134982	
Voltage U _N	230 V 1~
Current I _{max}	0,3
Ambient Temperature t _A	70 °C
Medium temperatures t _M	70 °C
Speed Control	V
Motor Protection	TMI
Isolation Class	F
Weight	2,7 kg

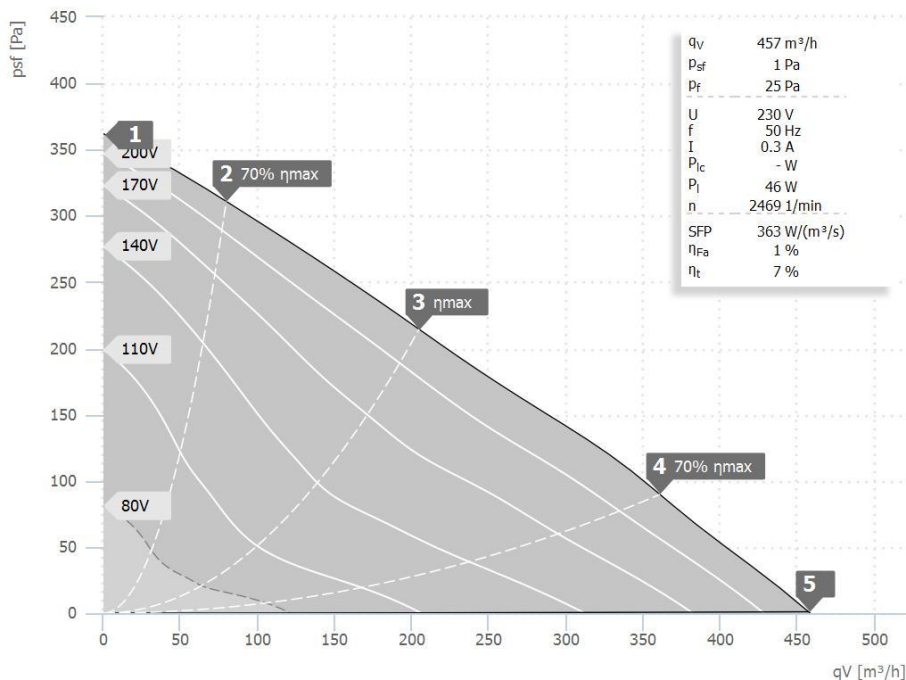


116403

DATA SHEET

RS 160 10 | 134986

ruck.eu
VENTILATOREN

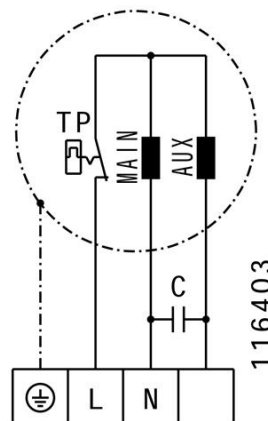
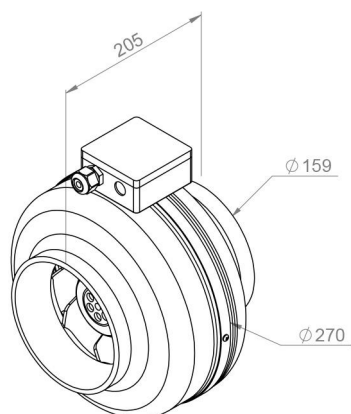


- Backward curved centrifugal fan
- Metal housing RAL 7035
- Speed controllable
- Integrated thermostatic switch
- Incl. terminal box

Operating Point		1	2	3	4	5
Current I	A	0,2	0,3	0,3	0,3	0,3
Power Consumption P ₁	W	34	39	46	49	46
RPM n	1/min	2748	2644	2451	2404	2469
SPL inlet L _{WA5}	dB(A)	64	63	62	63	67
SPL outlet L _{WA6}	dB(A)	64	64	62	64	65
SPL casing break out L _{WA2}	dB(A)	51	50	48	48	51

Sound power (L _W) dB(A)		Medium Frequency Band								
		Σ	63	125	250	500	1k	2k	4k	8k
Inlet	L _{WA5}	67	32	47	52	58	59	61	61	56
Outlet	L _{WA6}	66	36	48	60	56	59	58	57	52
Casing	L _{WA2}	51	31	34	40	41	46	45	41	38

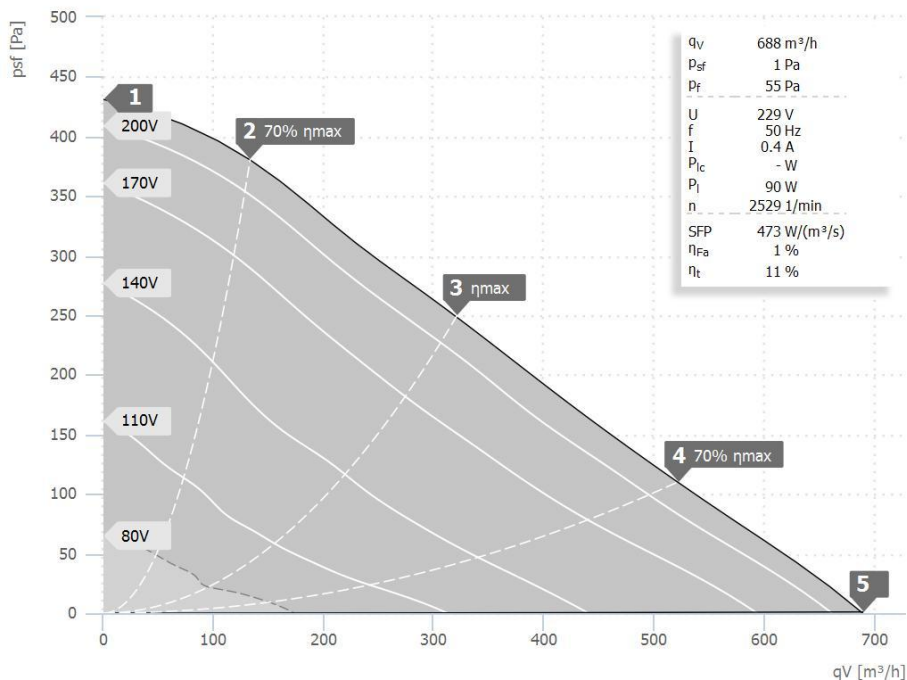
RS 160 10 134986	
Voltage U _N	230 V 1~
Current I _{max}	0,3
Ambient Temperature t _A	70 °C
Medium temperatures t _M	70 °C
Speed Control	V
Motor Protection	TMI
Isolation Class	F
Weight	3 kg



DATA SHEET

RS 160L | 104202

ruck.eu
VENTILATOREN

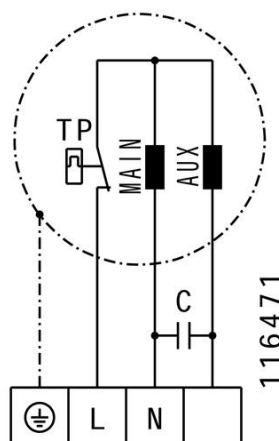
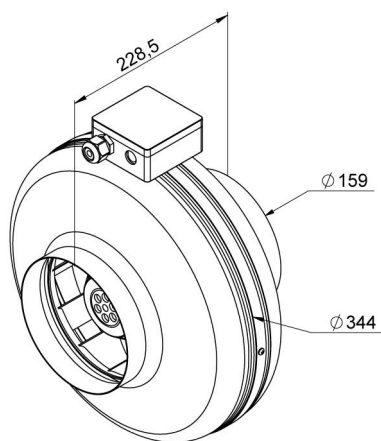


- Backward curved centrifugal fan
- Metal housing RAL 7035
- Speed controllable
- Integrated thermostatic switch
- Incl. terminal box

Operating Point		1	2	3	4	5
Current I	A	0,4	0,4	0,4	0,4	0,4
Power Consumption P ₁	W	81	84	92	94	91
RPM n	1/min	2651	2607	2520	2500	2534
SPL inlet L _{WA5}	dB(A)	74	73	71	74	76
SPL outlet L _{WA6}	dB(A)	72	71	70	73	74
SPL casing break out L _{WA2}	dB(A)	59	58	57	58	59

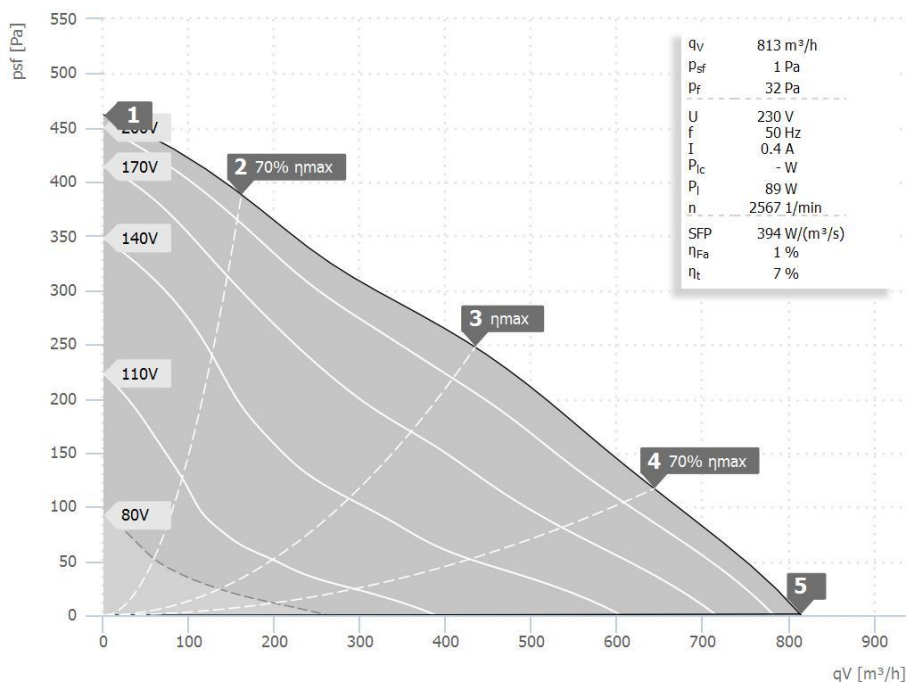
Sound power (L _W) dB(A)		Medium Frequency Band								
		Σ	63	125	250	500	1k	2k	4k	8k
Inlet	L _{WA5}	76	-	47	63	70	72	66	65	53
Outlet	L _{WA6}	74	-	50	65	61	70	68	64	52
Casing	L _{WA2}	59	-	40	51	54	54	50	46	36

RS 160L 104202	
Voltage U _N	230 V 1~
Current I _{max}	0,4
Ambient Temperature t _A	65 °C
Medium temperatures t _M	65 °C
Speed Control	V
Motor Protection	TAI
Isolation Class	F
Weight	3,9 kg



DATA SHEET

RS 200 | 104209

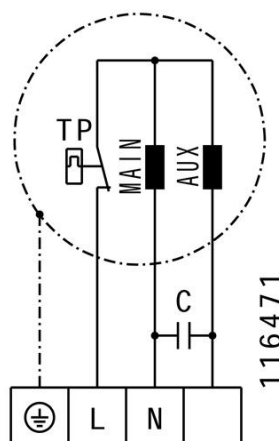
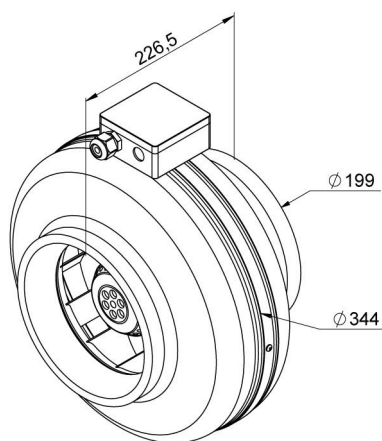


- Backward curved centrifugal fan
- Metal housing RAL 7035
- Speed controllable
- Integrated thermostatic switch
- Incl. terminal box

Operating Point		1	2	3	4	5
Current I	A	0,4	0,4	0,4	0,4	0,4
Power Consumption P ₁	W	74	83	98	97	89
RPM n	1/min	2723	2627	2460	2473	2567
SPL inlet L _{WA5}	dB(A)	71	71	71	71	73
SPL outlet L _{WA6}	dB(A)	70	71	70	71	73
SPL casing break out L _{WA2}	dB(A)	58	59	56	56	59

Sound power (L _W) dB(A)		Medium Frequency Band								
		Σ	63	125	250	500	1k	2k	4k	8k
Inlet	L _{WA5}	73	36	47	62	67	69	65	65	54
Outlet	L _{WA6}	73	36	50	64	62	68	67	66	53
Casing	L _{WA2}	59	45	38	50	53	53	52	49	40

RS 200 104209	
Voltage U _N	230 V 1~
Current I _{max}	0,5
Ambient Temperature t _A	70 °C
Medium temperatures t _M	70 °C
Speed Control	V
Motor Protection	TAI
Isolation Class	F
Weight	4 kg

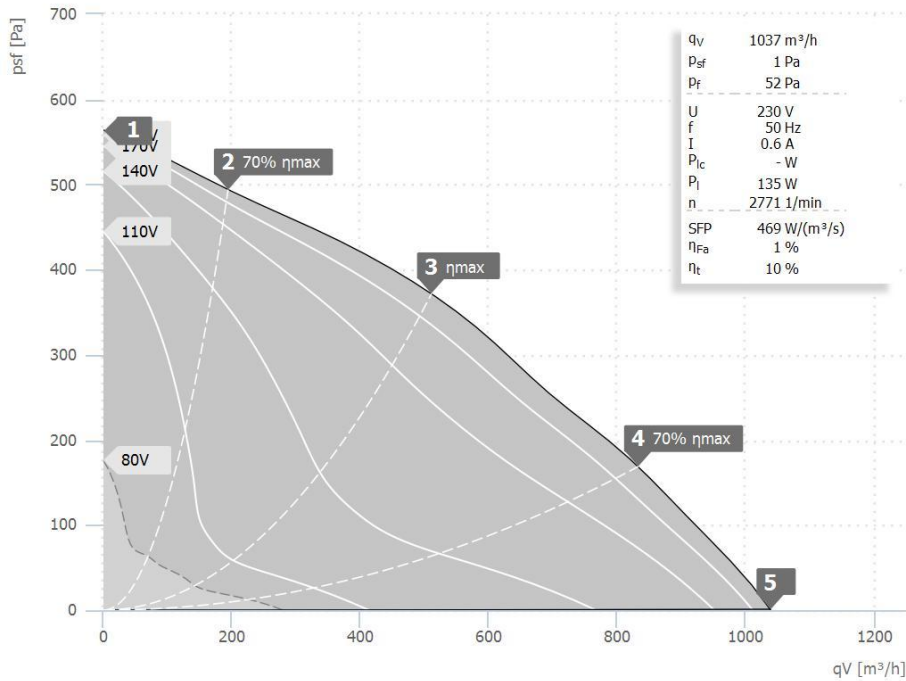


116471

DATA SHEET

RS 200L 10 | 136395

ruck.eu
VENTILATOREN

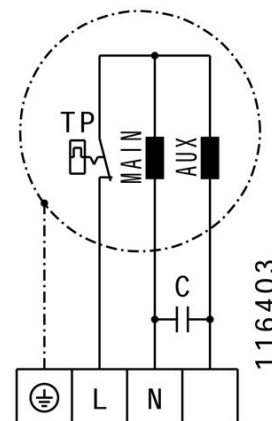
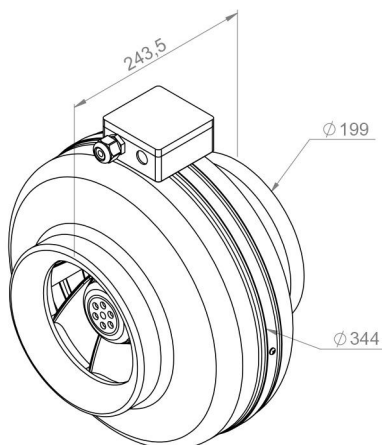


- Backward curved centrifugal fan
- Metal housing RAL 7035
- Speed controllable
- Integrated thermostatic switch
- Incl. terminal box

Operating Point		1	2	3	4	5
Current I	A	0,4	0,5	0,7	0,7	0,6
Power Consumption P ₁	W	83	107	145	153	135
RPM n	1/min	2905	2833	2732	2721	2772
SPL inlet L _{WA5}	dB(A)	71	72	70	73	75
SPL outlet L _{WA6}	dB(A)	72	73	72	74	75
SPL casing break out L _{WA2}	dB(A)	61	61	61	62	63

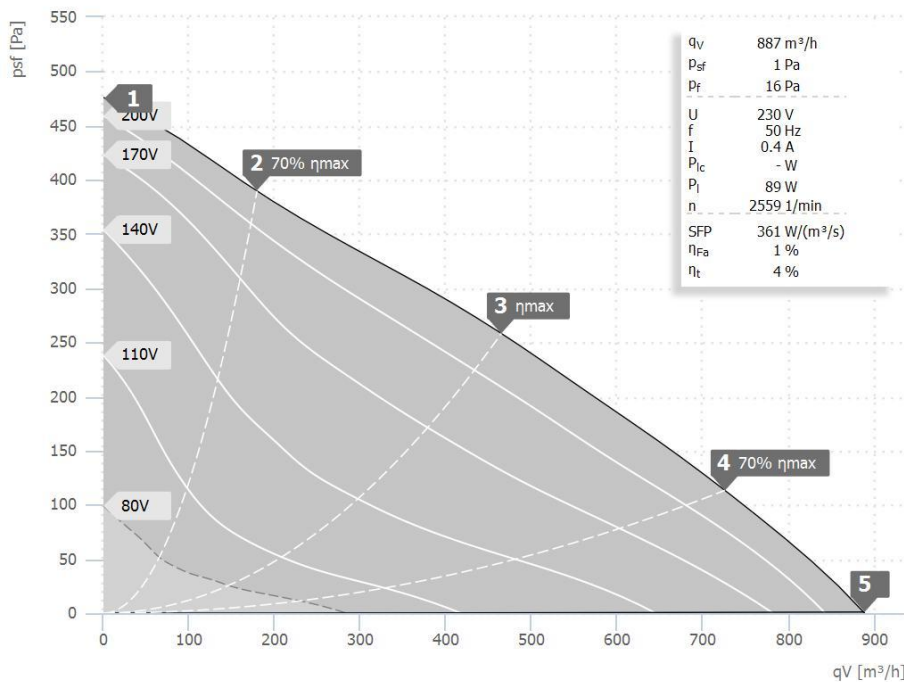
Sound power (L _W) dB(A)		Medium Frequency Band								
		Σ	63	125	250	500	1k	2k	4k	8k
Inlet	L _{WA5}	76	42	51	71	66	69	67	66	59
Outlet	L _{WA6}	75	41	53	69	64	69	68	67	59
Casing	L _{WA2}	63	45	47	50	53	56	60	53	43

RS 200L 10 136395	
Voltage U _N	230 V 1~
Current I _{max}	0,9
Ambient Temperature t _A	75 °C
Medium temperatures t _M	75 °C
Speed Control	V
Motor Protection	TMI
Isolation Class	F
Weight	5,1 kg



DATA SHEET

RS 250 | 104213

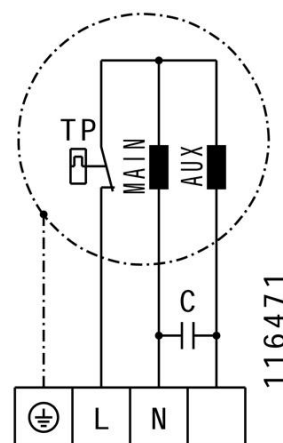
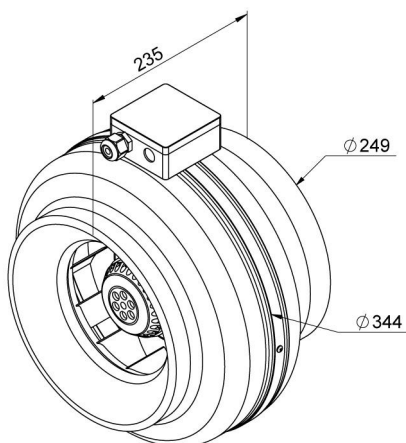


- Backward curved centrifugal fan
- Metal housing RAL 7035
- Speed controllable
- Integrated thermostatic switch
- Incl. terminal box

Operating Point		1	2	3	4	5
Current I	A	0,4	0,4	0,4	0,4	0,4
Power Consumption P ₁	W	74	85	100	96	89
RPM n	1/min	2722	2602	2428	2467	2559
SPL inlet L _{WA5}	dB(A)	74	72	71	73	75
SPL outlet L _{WA6}	dB(A)	76	74	74	75	77
SPL casing break out L _{WA2}	dB(A)	60	59	58	61	62

Sound power (L _W) dB(A)		Medium Frequency Band								
		Σ	63	125	250	500	1k	2k	4k	8k
Inlet	L _{WA5}	75	38	52	63	68	70	67	68	65
Outlet	L _{WA6}	77	40	54	66	69	72	71	68	64
Casing	L _{WA2}	62	40	44	47	54	57	58	51	45

RS 250 104213	
Voltage U _N	230 V 1~
Current I _{max}	0,5
Ambient Temperature t _A	60 °C
Medium temperatures t _M	60 °C
Speed Control	V
Motor Protection	TAI
Isolation Class	F
Weight	4,1 kg

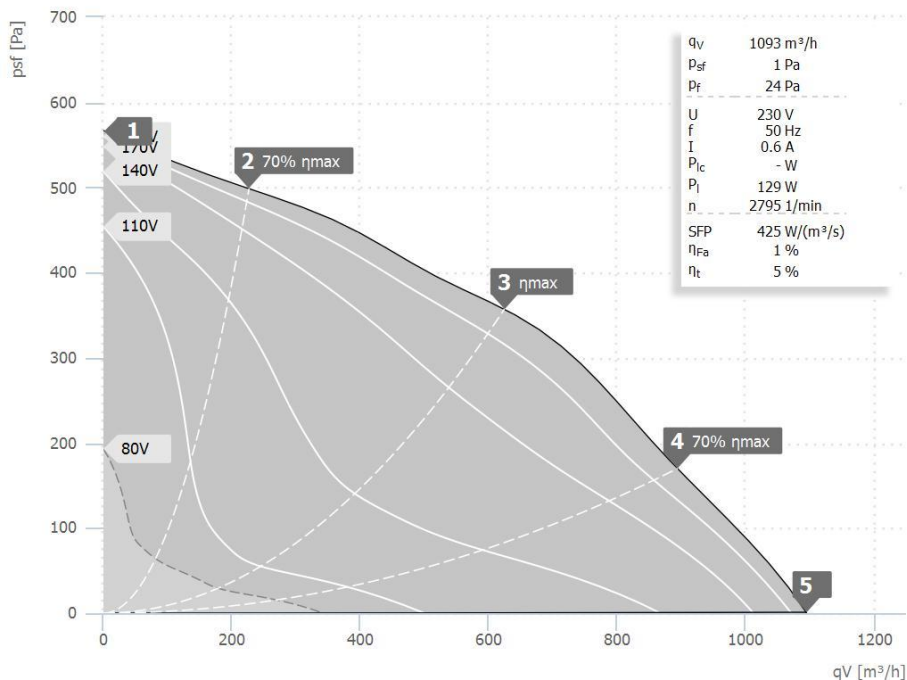


116471

DATA SHEET

RS 250L 10 | 136398

ruck.eu
VENTILATOREN

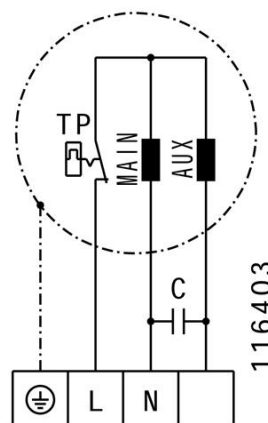
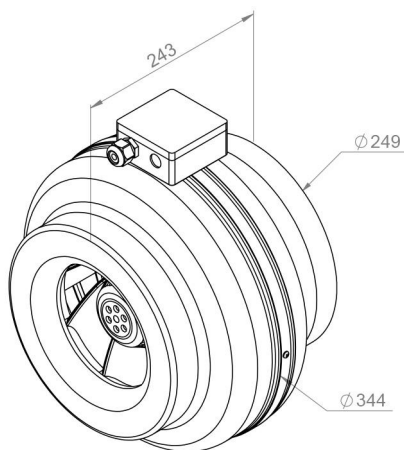


- Backward curved centrifugal fan
- Metal housing RAL 7035
- Speed controllable
- Integrated thermostatic switch
- Incl. terminal box

Operating Point		1	2	3	4	5
Current I	A	0,4	0,5	0,7	0,7	0,6
Power Consumption P ₁	W	85	114	156	150	129
RPM n	1/min	2906	2825	2710	2742	2796
SPL inlet L _{WA5}	dB(A)	71	70	68	72	74
SPL outlet L _{WA6}	dB(A)	73	73	71	75	76
SPL casing break out L _{WA2}	dB(A)	60	60	59	61	62

Sound power (L _W) dB(A)		Medium Frequency Band								
		Σ	63	125	250	500	1k	2k	4k	8k
Inlet	L _{WA5}	74	38	51	65	65	68	67	66	61
Outlet	L _{WA6}	76	38	51	68	69	69	70	69	61
Casing	L _{WA2}	62	43	45	49	55	57	57	52	43

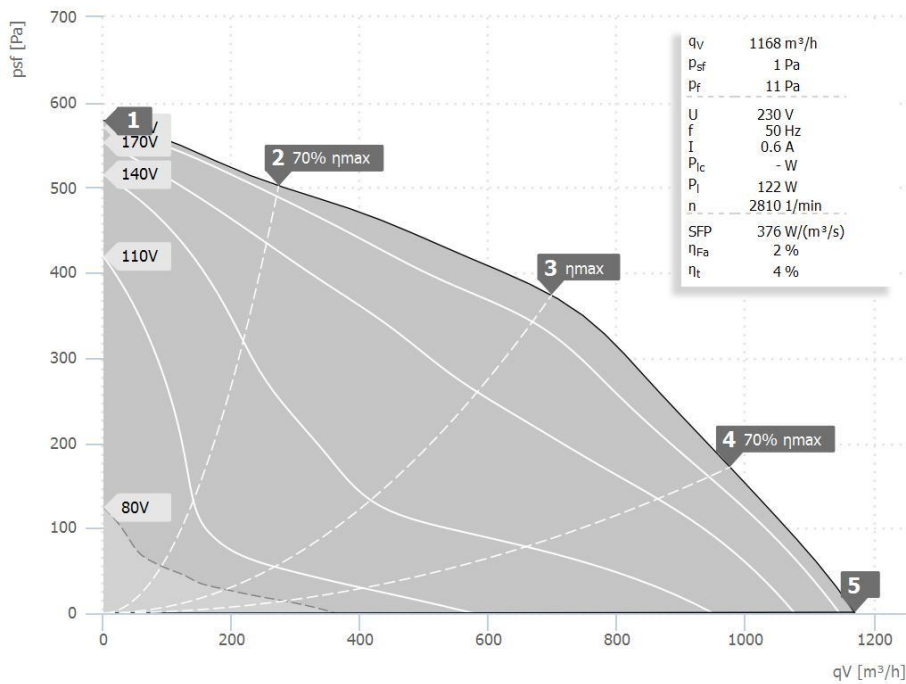
RS 250L 10 136398	
Voltage U _N	230 V 1~
Current I _{max}	0,9
Ambient Temperature t _A	70 °C
Medium temperatures t _M	70 °C
Speed Control	V
Motor Protection	TMI
Isolation Class	F
Weight	5,1 kg



DATA SHEET

RS 315 10 | 136400

ruck.eu
VENTILATOREN



- Backward curved centrifugal fan
- Metal housing RAL 7035
- Speed controllable
- Integrated thermostatic switch
- Incl. terminal box

Operating Point		1	2	3	4	5
Current I	A	0,4	0,6	0,7	0,7	0,6
Power Consumption P _l	W	90	124	161	146	122
RPM n	1/min	2891	2796	2699	2753	2811
SPL inlet L _{WA5}	dB(A)	72	71	68	72	74
SPL outlet L _{WA6}	dB(A)	75	74	70	74	76
SPL casing break out L _{WA2}	dB(A)	60	59	56	59	60

Sound power (L _W) dB(A)		Medium Frequency Band								
		Σ	63	125	250	500	1k	2k	4k	8k
Inlet	L _{WA5}	74	41	50	66	65	69	65	66	62
Outlet	L _{WA6}	76	40	54	67	68	69	69	70	63
Casing	L _{WA2}	61	41	43	47	51	54	57	51	42

RS 315 10 136400	
Voltage U _N	230 V 1~
Current I _{max}	0,9
Ambient Temperature t _A	70 °C
Medium temperatures t _M	70 °C
Speed Control	V
Motor Protection	TMI
Isolation Class	F
Weight	5,7 kg

